

HN-P-25M Series Lens

HN-P-1224-25M-C1.2/1

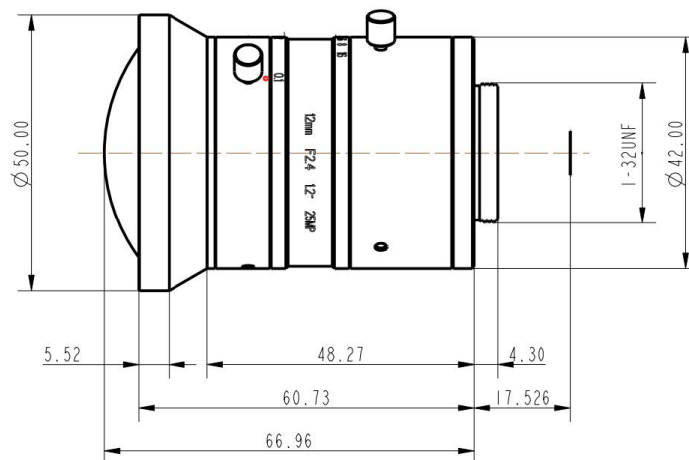


- F=12mm
- 2.74 μ m
- F2.4
- for 1.2 type Cameras, 25 Megapixel
- Ultra-low optical distortion
- Miniaturized structure

Specifications

Model	HN-P-1224-25M-C1.2/1	
Sensor Size	1.2"	
Pixel size (μ m)	2.74	
Focal Length (mm)	12 \pm 5%	
Total Track Length (mm)	85.02 \pm 0.2	
Flange distance (mm)	17.526 \pm 0.2	
F/No.	F2.4-F16	
Angle of View (D \times H \times V)	76.12 $^{\circ}$ \times 62.33 $^{\circ}$ \times 55.33 $^{\circ}$	
Distortion (%)	Optical Distortion	-0.28
	TV Distortion	0.39
Basic Working Distance (mm)	300	
Focus Range	0.1m- ∞	
Mount	C-mount	
Dimensions (mm)	Φ 50.00 \times 66.96 (w/o thread)	
Weight	219g	

Technical Drawing



China Daheng Group, Inc. Beijing Image Vision Technology Branch

12F Daheng Science & Technology Tower, No.3 Suzhou Street, Haidian District, Beijing China, 100080

Tel: +86 10 82828878

E-mail: isales@daheng-imaging.com