

## HN-P-10M Series Lens

### HN-P-1220-10M-C2/3

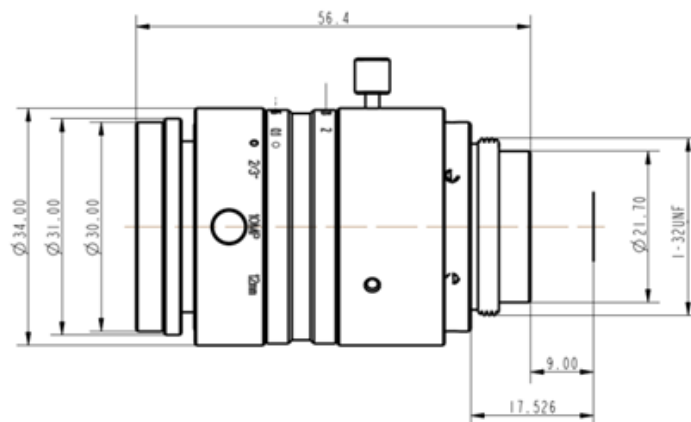


- F=12mm
- 2.4μm
- F2
- for 2/3 type Cameras, 10 Megapixel
- Ultra-low optical distortion
- Miniaturized structure

#### Specifications

Model	HN-P-1220-10M-C2/3
Sensor Size	2/3"
Pixel size (μm)	3.45 & 2.4
Focal Length (mm)	12±5%
Total Track Length (mm)	60±0.2
Flange distance (mm)	17.526±0.2
F/No.	F2-F16
Angle of View (D×H×V)	48° × 39.3° × 30°
TV Distortion(%)	±0.19
Basic Working Distance (mm)	300
Focus Range	0.1m- ∞
Filter Thread (mm)	M28 × 0.5
Mount	C-mount
Dimensions (mm)	Φ34.0 × 47.9 (w/o thread)
Wight	105g

#### Technical Drawing



China Daheng Group, Inc. Beijing Image Vision Technology Branch

12F Daheng Science & Technology Tower, No.3 Suzhou Street, Haidian District, Beijing China, 100080

Tel: +86 10 82828878

E-mail: isales@daheng-imaging.com