

HN-P-25M Series Lens

HN-P-1624-25M-C1.2/1

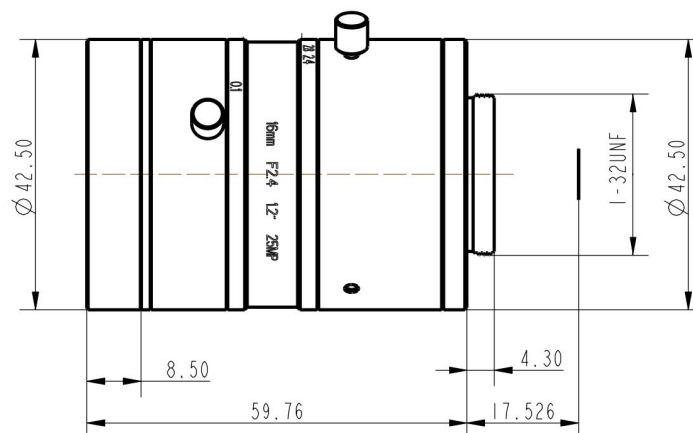


- F=16mm
- 2.74 μ m
- F2.4
- for 1.2 type Cameras, 25 Megapixel
- Ultra-low optical distortion
- Miniaturized structure

Specifications

Model	HN-P-1624-25M-C1.2/1	
Sensor Size	1.2"	
Pixel size (μ m)	2.74	
Focal Length (mm)	15.96 \pm 5%	
Total Track Length (mm)	75 \pm 0.2	
Flange distance (mm)	17.526 \pm 0.2	
F/No.	F2.4-F16	
Angle of View (D \times H \times V)	61.36 $^{\circ}$ \times 48.83 $^{\circ}$ \times 42.86 $^{\circ}$	
Distortion (%)	Optical Distortion	-0.53
	TV Distortion	0.07
Basic Working Distance (mm)	300	
Focus Range	0.1m- ∞	
Filter Thread	M40.5 \times 0.5	
Mount	C-mount	
Dimensions (mm)	Φ 42.50 \times 59.76 (w/o thread)	
Weight	190g	

Technical Drawing



China Daheng Group, Inc. Beijing Image Vision Technology Branch

12F Daheng Science & Technology Tower, No.3 Suzhou Street, Haidian District, Beijing China, 100080

Tel: +86 10 82828878

E-mail: isales@daheng-imaging.com