

HN-P-6M Series Lens

HN-P-1628-6M-C2/3

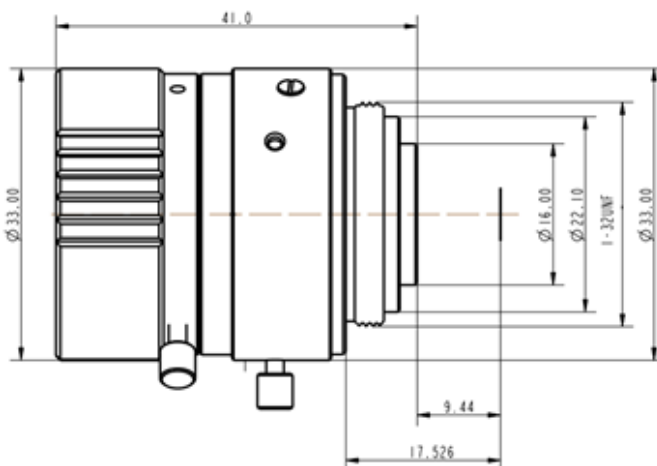


- F=16mm
- 2.74 μ m
- F2.8
- for 2/3 type Cameras, 6 Megapixel
- Ultra-low optical distortion
- Miniaturized structure

Specifications

Model	HN-P-1628-6M-C2/3	
Sensor Size	2/3"	
Pixel size (μ m)	2.4	
Focal Length (mm)	16 \pm 5%	
Total Track Length (mm)	45 \pm 0.2	
Flange distance (mm)	17.526 \pm 0.2	
F/No.	F2.8-F16	
Angle of View (D \times H \times V)	37.20 $^{\circ}$ \times 30.32 $^{\circ}$ \times 23.00 $^{\circ}$	
Distortion (%)	Optical Distortion	\pm 1
	TV Distortion	0.34
Basic Working Distance (mm)	300	
Focus Range	0.1m- ∞	
Filter Thread (mm)	M30.5 \times 0.5	
Mount	C-mount	
Dimensions (mm)	Φ 33.0 \times 33.2 (w/o thread)	
Weight	58g	

Technical Drawing



China Daheng Group, Inc. Beijing Image Vision Technology Branch

12F Daheng Science & Technology Tower, No.3 Suzhou Street, Haidian District, Beijing China, 100080

Tel: +86 10 82828878

E-mail: isales@daheng-imaging.com