

HN-P-20M Series Lens

HN-P-1224-20M-C1.1/1

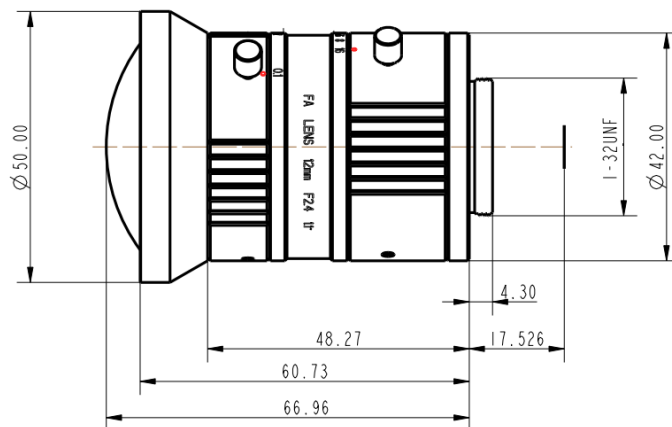


- F=12mm
- 2.74μm
- F2.4
- for 1.1 type Cameras, 20 Megapixel
- Ultra-low optical distortion
- Miniaturized structure

Specifications

Model	HN-P-1224-20M-C1.1/1	
Sensor Size	1.1"	
Pixel size (μm)	2.74	
Focal Length (mm)	12±5%	
Total Track Length (mm)	85.02±0.2	
Flange distance (mm)	17.526±0.2	
F/No.	F2.4-F16	
Angle of View (D×H×V)	71.14° × 60.75° × 46.52°	
Distortion (%)	Optical Distortion	-0.75
	TV Distortion	0.07
Basic Working Distance (mm)	300	
Focus Range	0.1m- ∞	
Filter Thread (mm)	/	
Mount	C-mount	
Dimensions (mm)	Φ50.0 × 66.96 (w/o thread)	
Weight	220g	

Technical Drawing



China Daheng Group, Inc. Beijing Image Vision Technology Branch

12F Daheng Science & Technology Tower, No.3 Suzhou Street, Haidian District, Beijing China, 100080

Tel: +86 10 82828878

E-mail: isales@daheng-imaging.com