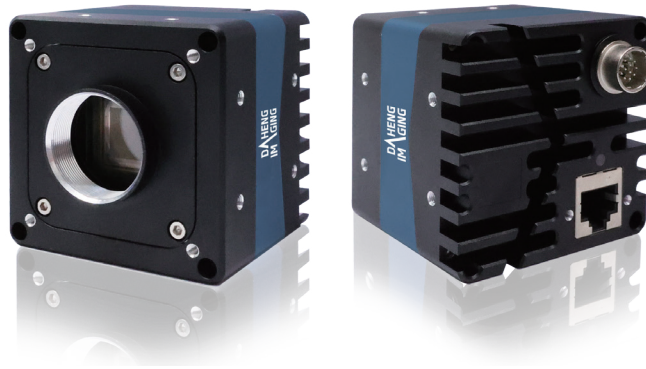


MARS-2621-42GTM-NIR

26MP CMOS 10GigE Area Scan Camera

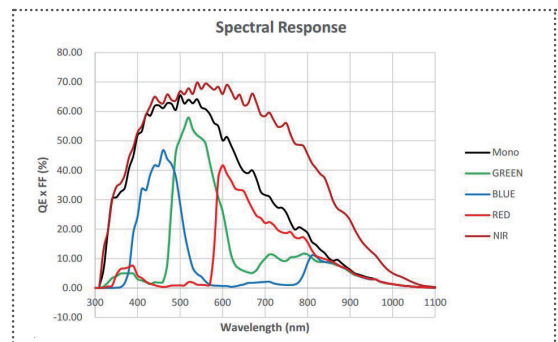


The MARS-2621-42GTM-NIR is a NIR enhanced GigE Vision camera with the Gpixel GMAX0505 CMOS sensor. The MARS-2621-42GTM-NIR is capable of 10Gbit/s maximum transfer data rate, and has opto-isolated I/Os. Thanks to locking screw connectors, the MARS cameras can secure the reliability of cameras deployed in harsh environments. The MARS cameras are industrial digital cameras with high reliability and high performance ratio.

Applications

Suitable for 3C, lithium battery, photovoltaic, railway, AR and other industrial applications.

Spectral Response



Features

- Time Stamp, Horizontal Binning, Decimation, Reverse X/Y
- The Sequencer Control supports multiple sets of parameters configuration
- Trigger mode: Frame Start /Frame Burst Start
- Gain, GainAuto, Gamma, Black Level, Digital Shift, Flat Field Correction
- Static Defect Correction, Sharpness, Noise Reduction
- Timer, Counter, LUTs and User Set Control
- Remove Parameter Limit to expand the range of Parameter
- Data storage area for saving algorithm coefficients and parameter configuration

Specifications

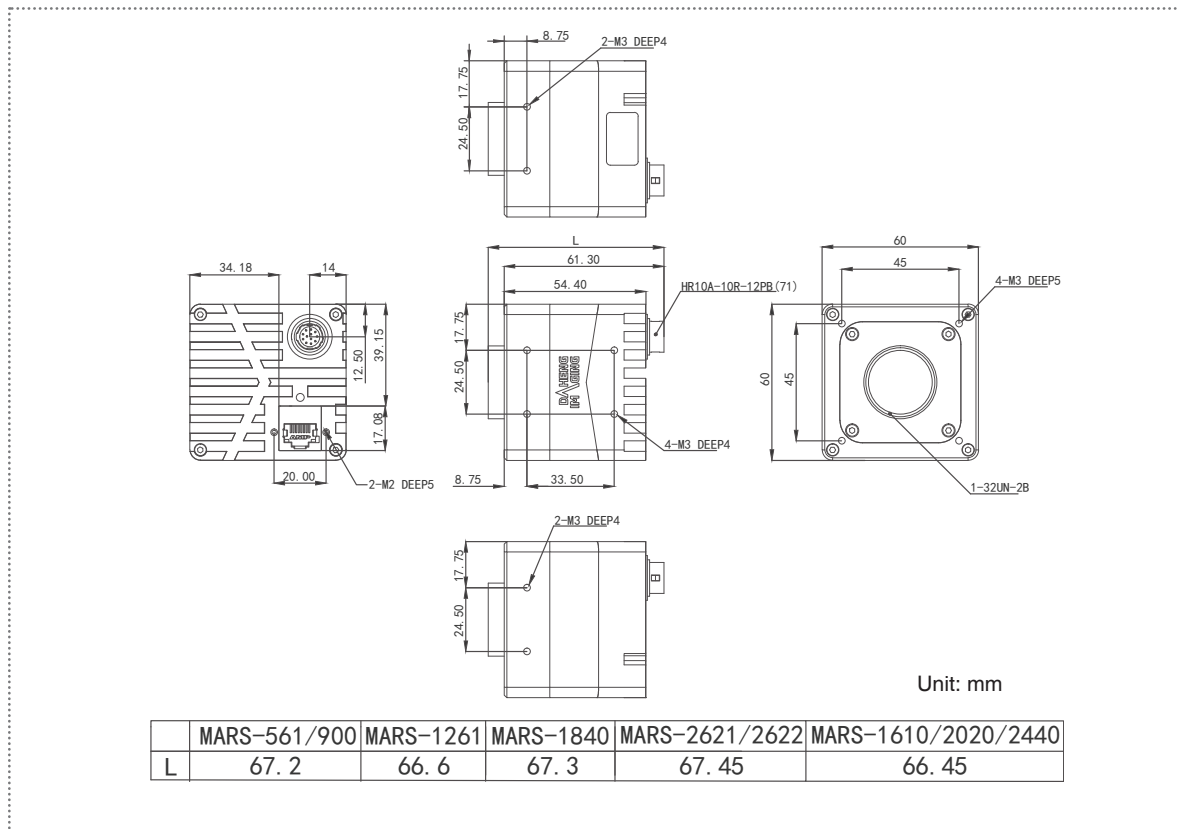
Model	MARS-2621-42GTM-NIR
Resolution	5120(H) × 5120(V)
Sensor	Gpixel GMAX0505 Global shutter CMOS
Sensor Format	1.1"
Pixel Size	2.5μm × 2.5μm
Frame Rate	41.8 fps
ADC	12 bit
Pixel Bit Depth	8 bit, 12 bit
Mono/Color	Mono, NIR
Pixel Formats	Mono8 / Mono12
SNR	35.54 dB
Exposure Time	14μs~1s, Actual Steps: 1 row period
Gain	0dB~16dB, Default: 0dB, Steps: 0.1dB
Binning	1×1, 2×1 (No Vertical Binning)
Decimation	Horizontal FPGA, Vertical Sensor: 1×1, 1×2, 2×1, 2×2 (No vertical decimation)
Synchronization	Hardware trigger, software trigger
Acquisition Control	Single frame, Continuous, Software trigger, Hardware trigger
Reverse X/Y	Reverse X/Y
I/O Interface	1 input and 1 output with opto-isolated, 1 bidirectional programmable GPIO
Data Interface	10GigE
Power Supply	12VDC-10% ~ 24VDC+10%
Power Consumption	< 12.7W @ 24VDC
Operating Temp.	0° C ~ +50° C
Storage Temp.	-20° C ~ +70° C
Operating Humidity	10% ~ 80%
Lens Mount	C
Dimensions	60(W) × 60(H) × 54.4(L) mm (without lens adapter or connectors)
Weight	340 g
OS	Win10/Win11 32bit, 64bit OS, 64bit OS is recommended
Conformity	CE, RoHS, FCC, ICES, UKCA, GigE Vision®, GenICam®

I/O Interface



Pin	Definition	Core Color	Description
1	Line 0+	Green	Opto-isolated input +
2	GND	Blue	PWR GND & GPIO GND
3	Line 0-	Grey	Opto-isolated input -
4	POWER_IN	Purple	Camera external power 12V (-10%) ~ +24V (+10%)
5	Line 2	Orange	GPIO input/output
6	RS232 Rx	Pink	RS232 receive
7	Line 1-	White Green	Opto-isolated output -
8	Line 1+	White Blue	Opto-isolated output +
9	GND	White Grey	PWR GND & GPIO GND
10	GND	White Purple	PWR GND & GPIO GND
11	POWER_IN	White Orange	Camera external power 12V (-10%) ~ +24V (+10%)
12	RS232 Tx	White Pink	RS232 transmit

Technical Drawing



China Daheng Group, Inc. Beijing Image Vision Technology Branch

12F Daheng Science & Technology Tower, No.3 Suzhou Street, Haidian District, Beijing China, 100080

Tel: +86 10 82828878

E-mail: isales@daheng-imaging.com